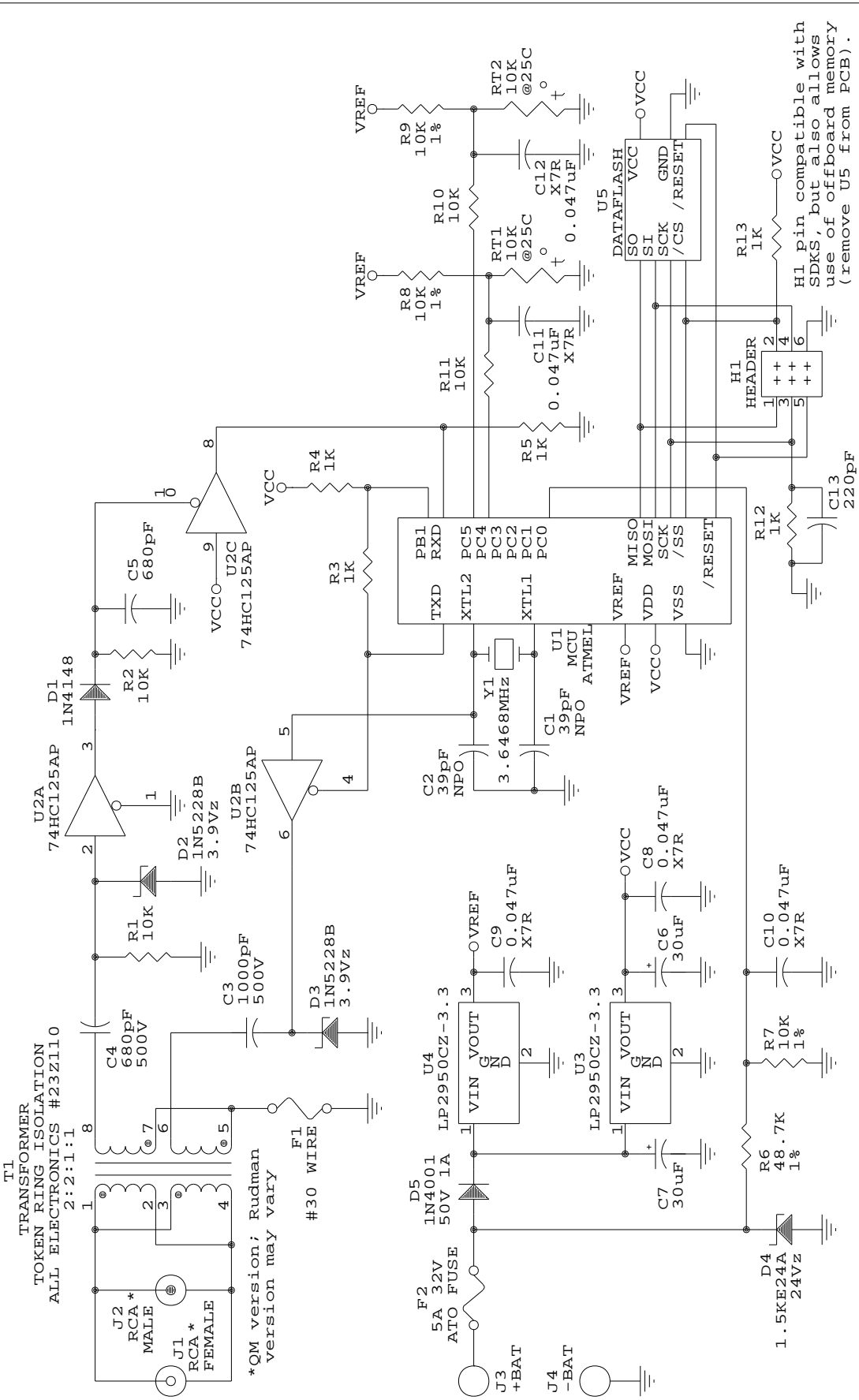


T1
 TRANSFORMER
 TOKEN RING ISOLATION
 ALL ELECTRONICS #23Z110
 2:2:1:1



*QM version; Rudman
 version may vary

H1 pin compatible with
 SDKS, but also allows
 use of offboard memory
 (remove U5 from PCB).

Title		Mk3 Rudman Regulator
Size Document Number		A
Date:	April 29, 2002	Sheet 1 of 1