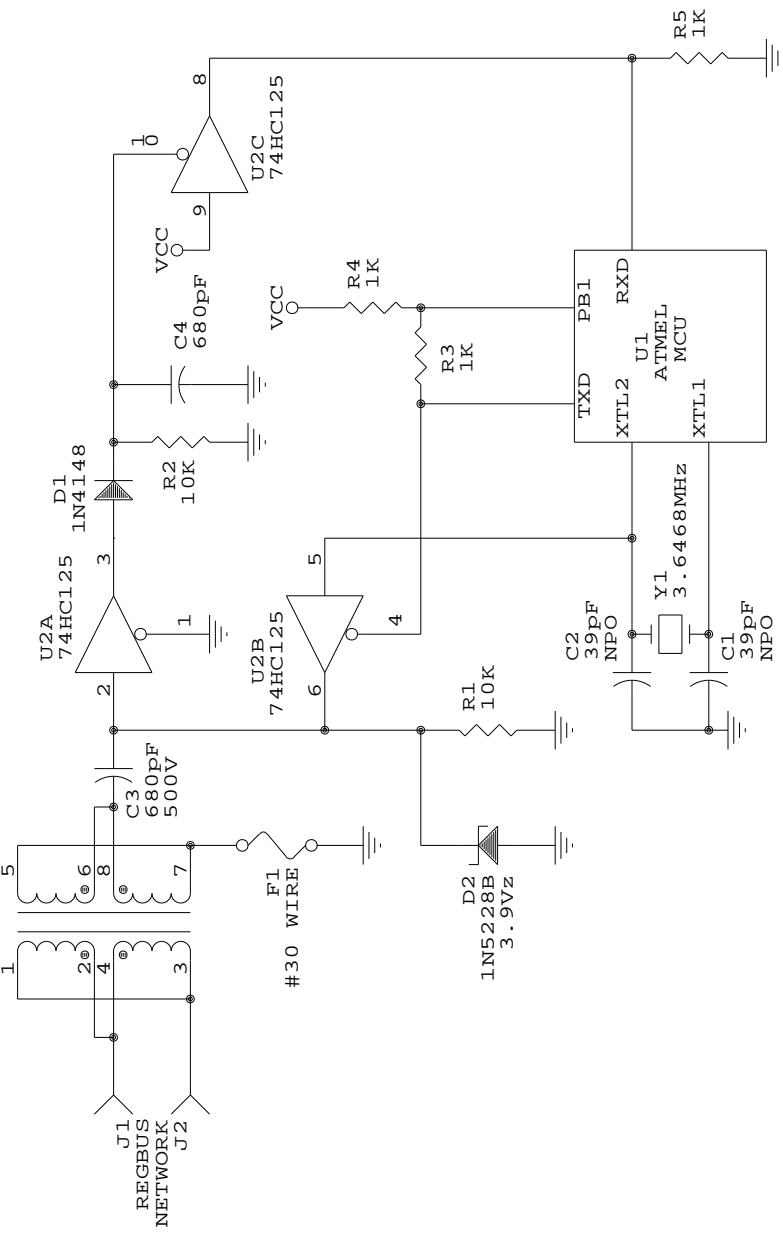


T1
 TRANSFORMER
 TOKEN RING ISOLATION
 ALL ELECTRONICS #23Z110
 1:1:2:2



Title

Mk3 Rudman Regulator

Size Document Number

A

REV

Date:

March 31, 2002

Sheet

1 of 1